



SCLO 200M

Self-contained range light with
14 NM Range

- Range up to 14 NM (Tc=0,74)
22 NM (Tc=0,85)
- Standard IALA colours
red, green, white and yellow
- Light module of rugged aluminium
housing and body of UV resistant polyethylene
- Light horizontally and vertically
adjustable in the field
- Integrated flasher with day-light
switch and solar charger
- Ventilated battery compartment
- Durable solar panels with tempered glass
- Adjustable intensity and range
- Programmable with Sabik standard IR
programming devices
- Light can be programmed and controlled up to 50
meter distance with a smart phone using Sabik
Bluetooth Control
- Optional integrated GPS synchronization
- Optional integrated GSM/GPS remote monitoring



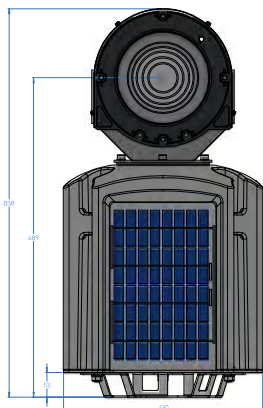
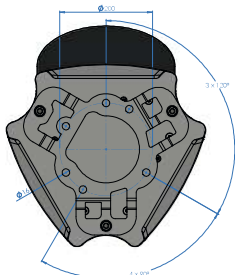
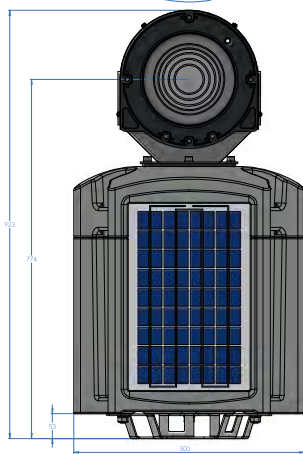
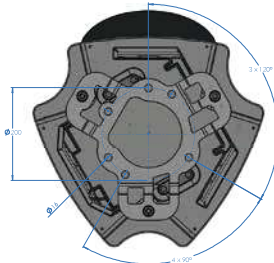
Optical performance

Maximum fixed intensity

At full power	7000 cd	7000 cd	7000 cd	13000 cd
---------------	---------	---------	---------	----------

Main Technical Specification

	up to 3 Nautical miles	up to 4 Nautical miles
Lens visual/Mechanical diameter	203 mm	
Lens material	UV stabilized Polycarbonate	
Light source	Light Emitting Diodes (LEDs)	
Horizontal divergence	8° @ 50% (±1°) of peak intensity	
Unit lifetime	Up to 10 years	
Weight	39 kg	
Overall height	870 mm	
Overall width	500 mm dia	
Power consumption	max 4 W	
Light unit degree of protection	IP 66	
Solar Modules	3 x 11W	
Battery	VRLA GEL-Type, 60Ah/12V	
Installation	3 x M10 on 330 mm dia	



Order Overview SCLO 200M

Product codes

Product	Colour
SCLO-200-MW	white
SCLO-200-MR	red
SCLO-200-MG	green
SCLO-200-MY	yellow

Product code example: SCLO-200-MR-7-9

- **SCLO-200-MR** is Sabik code for SCLO 200M in red
- **7-9** is a selection of option 7 with external GPS antenna and option 9 with GSM/GPS monitoring

Option matrix

OPT 4: GPS sync	GPS sync including external GPS antenna
OPT 9: LightGuard GSM + GPS	Integrated GSM based monitoring including GSM/ GPS antennas
OPT 10: LightGuard GSM	Integrated GSM based monitoring including GSM antenna
OPT 12: Aux card with I/O	Aux card including I/O ports
OPT 13: Aux card with RS485 and I/O	Aux card including RS 485 and I/O port
Shock & Tilt Sensor	Integrated 3-axis G sensor for tilt and shock sensing