

The SL-155 is a small form factor 6-13NM, single tier lantern with multiple intensity adjustments, high efficiency and minimum wind loading.

Standard	Optional
IR Programmer PC Configuration Tool	SATCOM GPS Sync RS232/422/485 Port AIS Hard-wire Sync

Key Features:

- Intensity Range of 6-13NM
- Single tier, small form factor
- Vertical divergence options of 2.5, 5 or 10 degrees
- GPS synchronisation
- Satellite Communications Enabling Two-Way Monitoring



Intensity Range

The SL-155 lantern range utilise leading technology LEDs for a visible range of 6-13NM.

Small Form Factor

The single tier SL-155 with multiple intensity adjustments, high levels of efficiency, and minimal wind loading, offers significant advantages over other lens stack assemblies.

Optional GPS Synchronisation

A GPS module can be fitted enabling flash synchronisation to clearly distinguish the lanterns from other AtoNs and confusing background lighting – ideal for rivers and channel marking.

Satellite Communications

The SL-155 range is available with an optional integrated Iridium® Satellite module enabling two-way monitoring and control using the Iridium® Low Earth Orbit satellite network.

SL-155 SERIES_DATA_V3.2

Accessible Via Star2M

The SL-155 range integrates into Star2M for asset monitoring and control in real time.

Available as a stand alone unit it can be powered by solar panels with battery back up options. A Wreck Light lantern to meet IALA recommendation 0-133 for temporary marking of danger or hazards is also available.



SL-155

5° & 10° Models

2.5° Model

Light Characteristics

Light Source	High efficiency LEDs	
Available Colours	Red, Green, White, Yellow	
Typical Maximum Intensity	5 degree model: Red - 2,500 Green - 2,700 White - 4,500 Yellow - 2,700 10 degree model: Red - 1,900 Green - 2,100 White - 3,700 Yellow - 1,900	2.5 degree model: Red - 5,100 Green - 6,000 White - 10,500 Yellow - 5,400
Visible Range (NM)	AT @ 0.74: 6-13 AT @ 0.85: 7.8-19.2	
Horizontal Output (degrees)	0-360	
Vertical Divergence (degrees)	5 or 10	2.5
Available Flash Characteristics	Up to 310 IALA recommended (user adjustable)	
Intensity Adjustments	User adjustable	
LED Life Expectancy (hours)	> 100,000	

Electrical Characteristics

Average Power (W)	Variable up to 65W	Variable up to 65W
Circuit Protection	Polarity protected	
Nominal Voltage (VDC)	12 - 24	

Physical Characteristics

Body Material	Marine grade two-part epoxy coating	
Lens Material	UV-stabilised acrylic	
Lens Diameter (mm/inches)	171 / 6 ¾	224 / 8 ¾
Lens Design	Multiple LED Optic	
Mounting	3 and 4 hole 200mm bolt pattern	
Height - Base Model (mm/inches)	217 / 8 ½	231 / 9 ¼
Width (mm/inches)	230 / 9	
Mass (kg/lbs)	5 / 11	5.5 / 12 ¼
Service Life	Up to 12 years ^	

Environmental Standards

Shock	MIL-STD-202G Test Condition H, Method 213B 30G vertical and 35G horizontal shock
Vibration	MIL-STD-202G, Test Condition B, Method 204D 5G in all axes
Immersion	MIL-STD-202G, Method 104A
Ice Loading	Rated to withstand 22kg/m²
Humidity	MIL-STD-810F method 507.4 (0 - 100%, condensing)
Temperature Range	-40 to 80°C

Compliance

CE	FCC Part 15 Rules & ICES-003. EN61000-6-1: 2007 (IEC61000-6-1:2005) Part 6-1 Immunity. EN61000-6-3: 2007 (IEC61000-6-3: 2006) Electromagnetic compatibility (EMC) - Part 6-3 Emission. IEC61000-4-2: 2008 Ed 2 Part 4-2 Electrostatic discharge immunity test Level 4. IEC61000-4-3: 2010 Ed 3.2 Part 4-3. Radiated, radio-frequency, electromagnetic field immunity. IEC61000-4-6: 2008 Ed3, , Electromagnetic compatibility (EMC) - Part 4-6 Immunity.
IALA	Signal colors compliant to IALAE-200-1 Emergency Wreck Marking Recommendation 0-133
Ingress Protection	IP68

Intellectual Property

Trademarks	SEALITE® is a registered trademark of Sealite Pty Ltd
Warranty *	3 years
Options Available	<ul style="list-style-type: none"> • Satellite Communications • GPS Synchronisation • AIS Type 1 or Type 3 • RS232/422/485 Communication Port • General purpose input & output • Variety of solar/battery configurations <ul style="list-style-type: none"> • Serial programming cable • Hard-wire Synchronisation

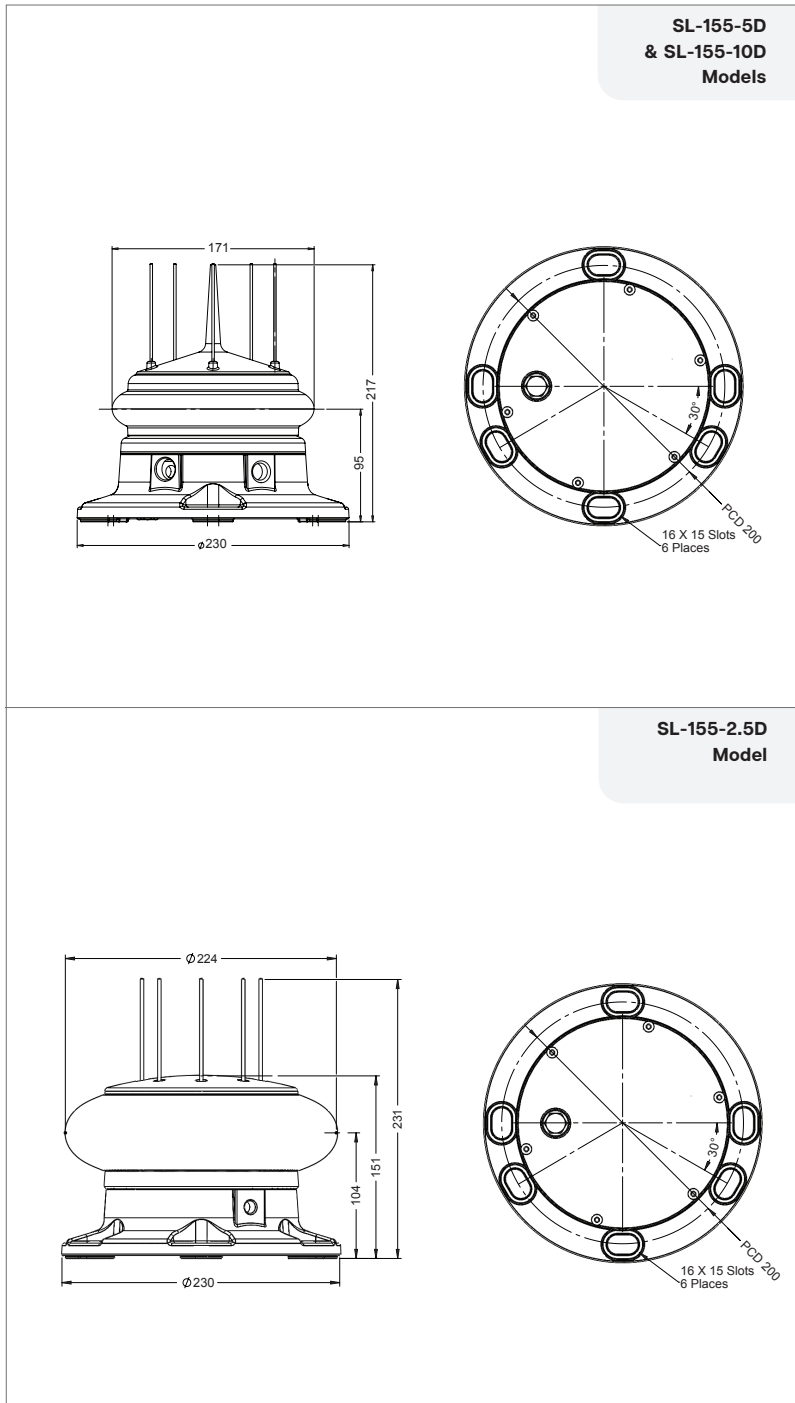


• Specifications subject to change or variation without notice
 † Intensity setting subject to solar availability

* Subject to standard terms and conditions
 ^ Refer to the Sealite website under the warranty section

SL-155 SERIES_DATA_V3.2

Technical Illustrations



Ordering This Product

SL-155-[XXX]-[X]-[XX]-[XX]-[XX]



- 1 Product Number**
- 2 Lens Type**
 - 2D5 (2.5 Degree)
 - 05D (5 Degree)
 - 10D (10 Degree)
- 3 LED Option:**
 - W White
 - Y Yellow
 - G Green
 - R Red
 - B Blue
 - BY Blue/Yellow
- 4 Power Options**
 - 00 Standard
 - 01 SL-C500
 - 02 SL-C600
 - 03 SL-PS-12-90-110
 - 04 SL-PS-12-180-220
- 5 Internal Options**
 - 00 No Internal Options
 - 01 GPS
 - 02 Satellite (GPS)
- 6 External Options**
 - 00 No External Options
 - 01 AIS Type 1
 - 02 AIS Type 3
 - 03 AIS Type 1 inside SL-C600
 - 04 AIS Type 3 inside SL-C600



Want to monitor, maintain, manage and control your assets? [Click here](#)



Product Variants



5/10D Model with SATCOM

All models available with internal satellite communications module as an option. Monitoring and control via Star2M.

Supplied with externally mounted iridium approved antenna and mounting bracket.



2.5D Model with GPS

All models available with internal GPS as an option.

Synchronise the flash character of assets to stand out against background lighting and to increase visual conspicuity.



SL-C500 Model

SL-155 lantern supplied as a complete self contained package with four x 10watt solar panels and a 12v, 55 Ah Gel SLA battery.

Available in 2.5D, 5D or 10D lantern options for fixed or floating applications.



SL-C600 Model

SL-155 lantern supplied as a complete self contained package with four x 20watt solar panels and a 12v, 110 Ah Gel SLA battery.

Available in 2.5D, 5D or 10D lantern options for fixed or floating applications.



With External Power Supply

SL-155 lantern supplied as a complete stand-alone package with either one or two 90w external solar panels and either a 12v, 110 Ah Gel SLA battery or a 12v, 220 Ah Gel SLA battery.

Available in 2.5D, 5D or 10D lantern options for fixed applications.

SL-155 SERIES_DATA_V3.2