

SPECIAL BUOYS

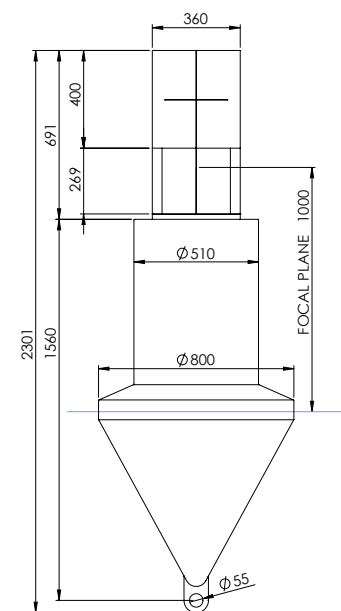
A800

CHARACTERISTICS AND ADVANTAGES

Strength	Mooring eye with metallic reinforcement
Easy to use	13 kg empty (without accessories)
Lantern	Designed to operate with or without a lantern
Top mark	Available as an option for the cylindrical buoy
Stability	Optional internal counterweight to improve stability in case of low mooring load

APPLICATIONS

- Marine works
- Beaches
- Beacons of minor channels and provisional installations



FEATURES

Models	CYLINDRICAL	CONICAL	SPHERICAL
Hull volume	0.10 m ³	0.10 m ³	0.10 m ³
FMR Load*	49 kg	49 kg	49 kg
Weight when empty	13 kg	13 kg	13 kg
Weight with top mark and 20 kg counterweight	46 kg	N/A	N/A
Diameter	0.80 m	0.80 m	0.80 m

* Minimum recommended freeboard (FMR)

CONSTRUCTION & QUALITY

Hull	Rotomoulded MDPE pigmented and with UV inhibitor. Wall thickness from 5 to 7 mm. Resistant up to 100°C and resistant to most acids and common solvents
Mooring eye	Polyethylene eye reinforced with a metallic ring
Recycling	The buoy components are easily recycled, with a direct re-use rate nearing 100%
Access to the interior	Removable screw for filling with counterweight material and/or PU foam

OPTIONS

Top mark	Available for the cylindrical buoy, manufactured in AISI 314 steel and painted
PU foam filling	Expanded PU foam filling to ensure flotation in case of breached hull
Sand counterweight	Aids stability in case of a low mooring load. PU foam filling is also required
Radar reflector	Available for a cylindrical buoy with top mark
Lantern	Self-contained lantern of up to 3 NM